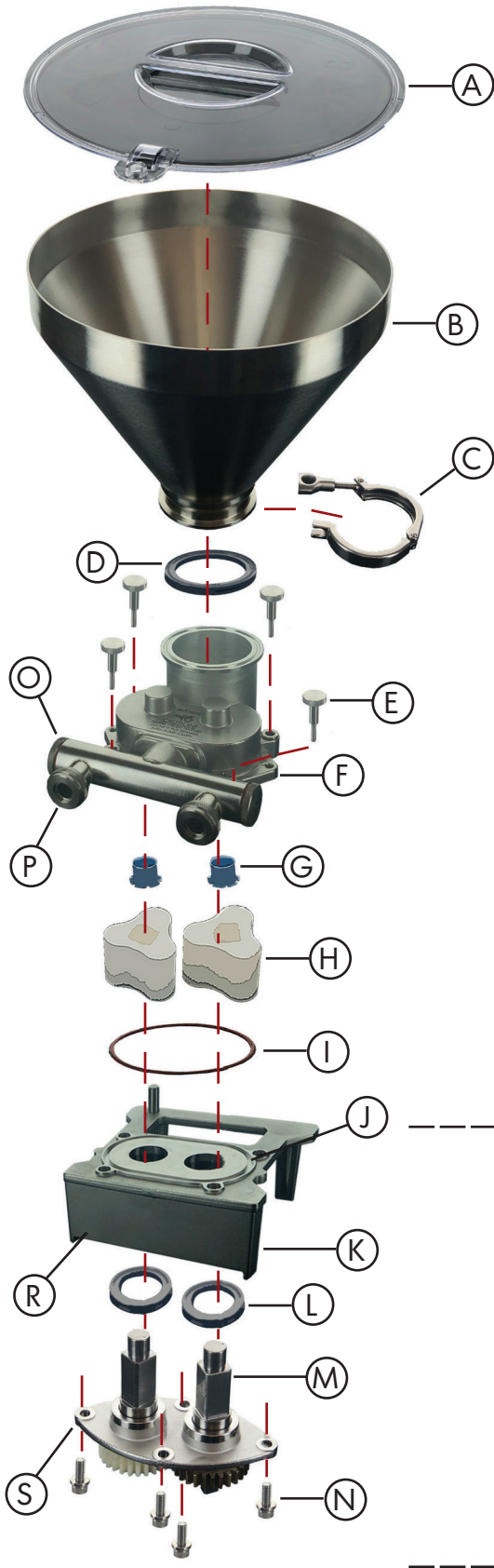


WARNING!
SEVERE CRUSH HAZARD. KEEP FINGERS OUT OF PUMP INLET AND OUTLET.
(SEE ENGRAVED WARNING ON PUMP HOUSING)



1. Place Shaft Seals [L] over Shafts [M] on the Shaft Plate [S] so that the red dots are facing downward.
2. Orient Plate [S] so that bronze gear is on RIGHT side when looking at front of Cover [K] (towards Safety Skirt [R]).
3. Push Shafts through holes on Cover until Plate seats fully and four (4) screw holes align.
4. Insert Screws [N] and tighten fully using 5mm hex wrench [T] included.
5. Place O-ring [I] in groove [J] of Pump Cover [K].
6. Place Impellers [H] onto Shafts [M] so that dots on Shafts line up with those on Impellers.
7. Place blue Bearings [G] in Housing [F] so that keys on Bearings line up with keyways in Housing.
8. Place Housing [F] on Cover [K] making sure they slide together freely.
9. Fasten Housing [F] to Cover [K] with Thumb Screws [E] - **HAND TIGHTEN ONLY. Make sure that all Thumb Screws are cross tightened evenly.**
10. Place Gasket [D] in groove on top of Housing [F].
11. Place Hopper [B] onto Housing [F] and Gasket [D]. Open Sanitary Clamp [C] and place around necks of Hopper & Housing. Join both ends of Clamp [C] and tighten until snug. **This must be done properly to ensure a leak-free connection.**
12. Remove Spot Retaining Nuts [P] from Outlet Manifold of Housing. Choose an appropriate 7/16" Spout, insert it into Housing and lock in place with Spout Retaining Nut [P].
13. To disassemble pump - reverse procedure. The End Caps (O) should be removed for ease of cleaning.

CLEANING

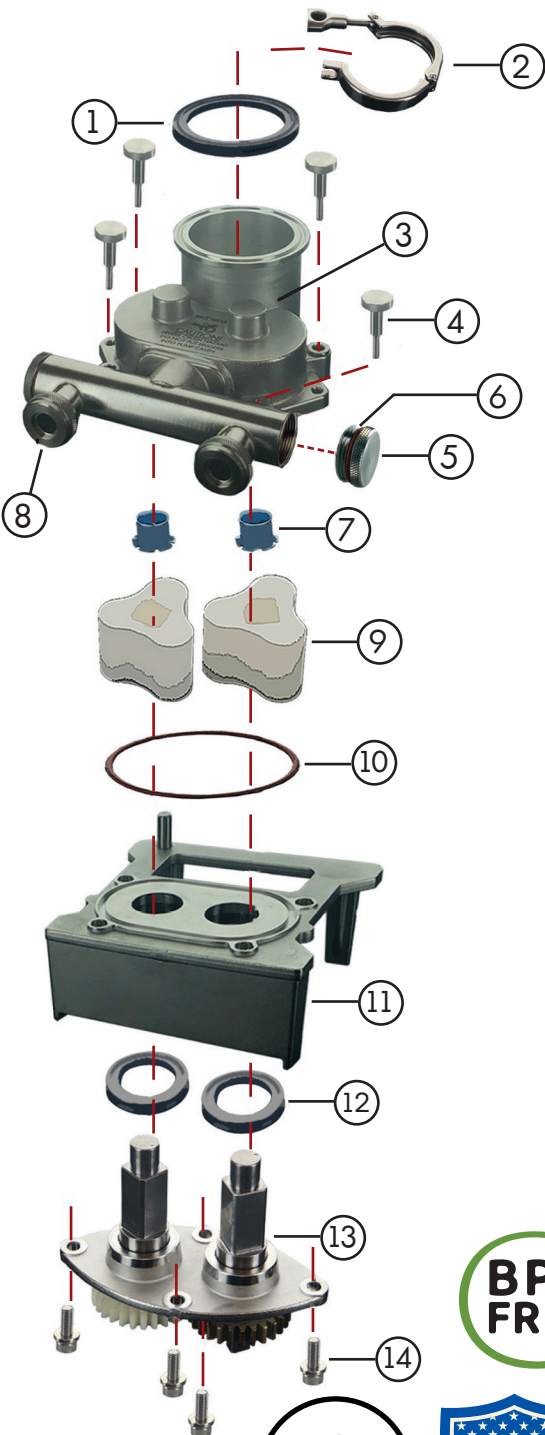
After use, disassemble pump and wash all parts thoroughly in HOT, SOAPY WATER. Keeping parts clean will ensure proper operation and also extend the life of the pump. **During cleaning make sure to inspect all parts for wear, nicks, scratches or dents that may affect pump's ability to work properly.**

Assembled for shipping and 1st use. After 1st use, disassemble for washing and sanitizing.



WARNING!
IMPORTANT INSTRUCTIONS
READ AND
UNDERSTAND COMPLETELY

WARNING!
SEVERE CRUSH HAZARD. KEEP FINGERS OUT OF PUMP INLET AND OUTLET.
 (SEE ENGRAVED WARNING ON PUMP HOUSING)



Ref. No.	Description	Qty.	Part Number
1	Gasket	1	FT-20047
2	Clamp	1	FT-20048
3	Pump Housing Assembly	1	RP-3982
4	Thumb Screw	4	RP-21389
5	Cap	2	FS-2735
6	O-Ring	2	FS-2316
7	Nylon Bearing	2	RP-2369
8	Spout Retaining Nut	2	FS-2807
SRP-Series Pump Cover Assembly		1	SRP-3929
9	3-Lobe Impeller	2	RP-21753
10	O-Ring	1	RP-2023
11	Pump Cover	1	SRP-21408
12	Shaft Seal (Nitrile)	2	FS-2302
13	Gear & Shaft Plate Assy.	1	SRP-3927
	Plate-Timing Gear & Shaft	1	SRP-21412
	Drive Shaft	1	RP-2340
	Idler Shaft	1	RP-2341
	Key	1	RP-20616
	Timing Gear (Left)	1	RP-2367
	Timing Gear (Right)	1	RP-2366
	Pin	2	RP-2370
14	Screw & Washer	4	SRP-3914

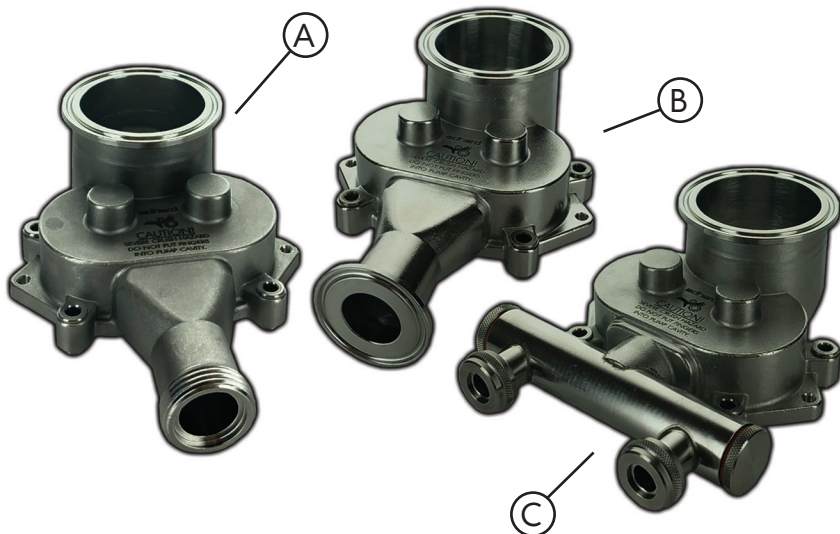
Optional Impellers	
Description	Part Number
3-Lobe Impeller (PEEK Hi-Temp)	RP-20666
3-Lobe Impeller (SS)	RP-2926
3-Lobe Impeller (Viton)	RP-2873
5-Lobe Impeller (HDPE)	RP-21743
5-Lobe Impeller (PEEK)	RP-21744
2-Lobe Impeller (HDPE)	RP-21827
2-Lobe Impeller (SS)	RP-2343
2-Lobe Impeller (Viton)	RP-2769



HOPPERS AND HOUSINGS



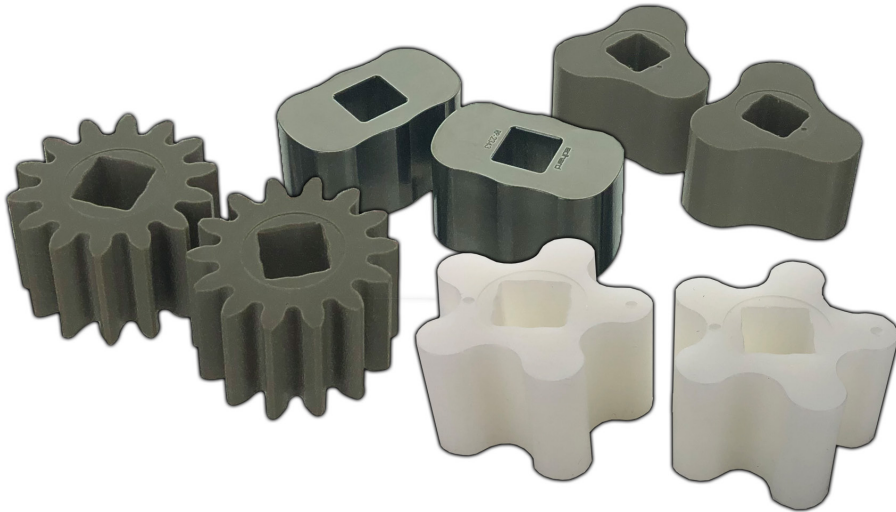
Ref. No.	Part	Description & Part Number					
		6 Qt./5.5L Tritan	18 Qt./17L Tritan	4 Qt./3.9L Stainless Steel	18 Qt./17L 45° Stainless Steel	18 Qt./17L 30° Stainless Steel	36 Qt./34L Stainless Steel
1	Hopper	FS-3208	FS-3278	FT-21656	FT-20064	FT-20065	FT-20131
2	Lid	F-21353	F-21354	F-21354	F-21354	F-21354	FS-3200
	Lid w/ Safety Interlock System	F-3881	F-3880	F-3880	F-3880	F-3880	FS-3906
	Lid for use w/ Pressure Disc	N/A	FS-2449	N/A	FS-2449	N/A	FS-3200-V



Ref. Letter	Description	Part No.
A	Threaded Outlet	RP-30043
B	Sanitary Outlet	RP-3697
C	Double Outlet	RP-3982



OPTIONAL PARTS



Optional Impellers	
3-Lobe Impeller (PEEK Hi-Temp)	RP-20666
3-Lobe Impeller (SS)	RP-2926
3-Lobe Impeller (Viton)	RP-2873
5-Lobe Impeller (HDPE)	RP-21743
5-Lobe Impeller (PEEK)	RP-21744
2-Lobe Impeller (HDPE)	RP-21827
2-Lobe Impeller (SS)	RP-2343
2-Lobe Impeller (Viton)	RP-2769



Part	Part Number
T-Handle Key- 5mm HEX	RP-21546



Part	Part Number
Extended Trip Arm	PS-3690

